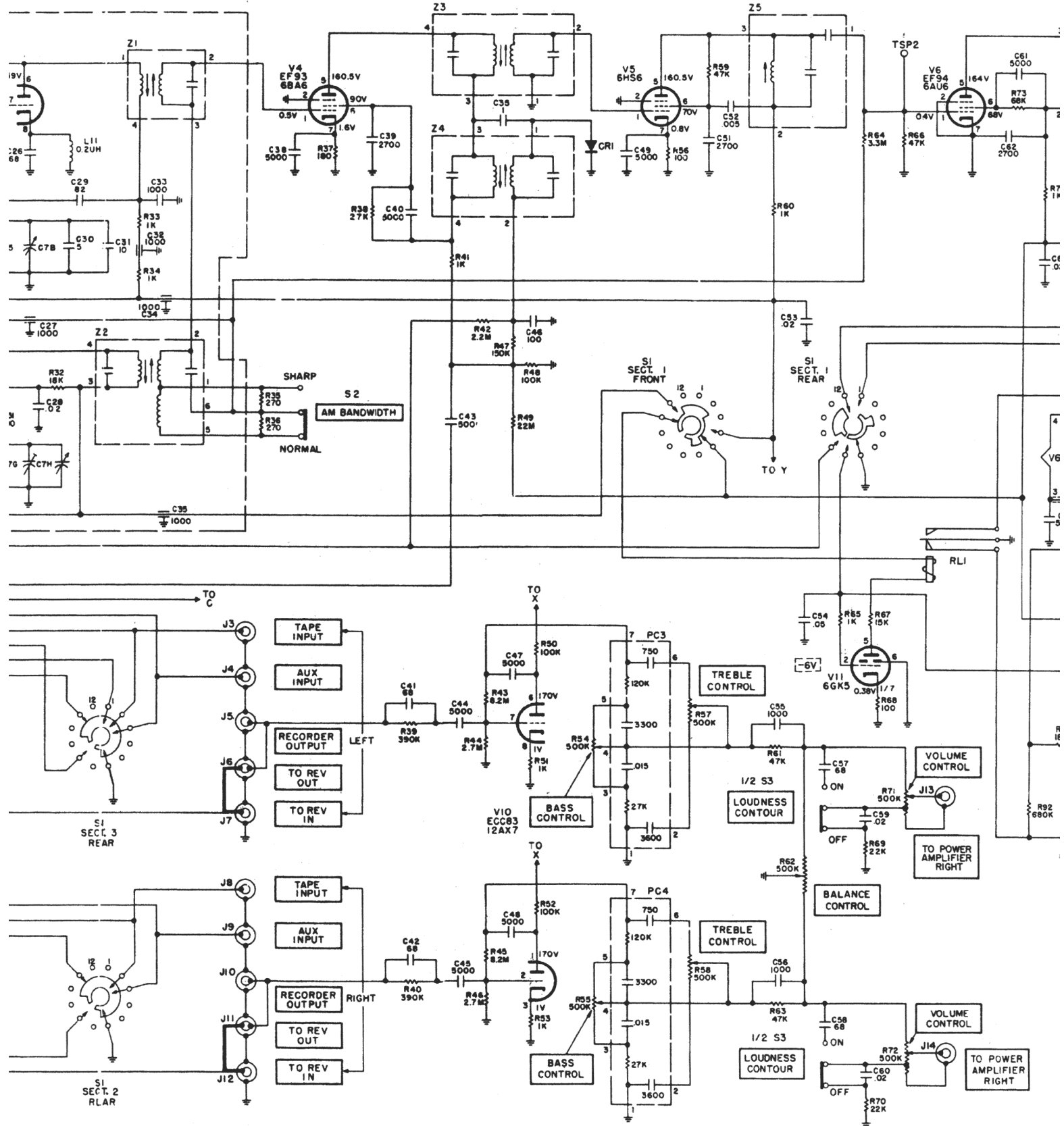
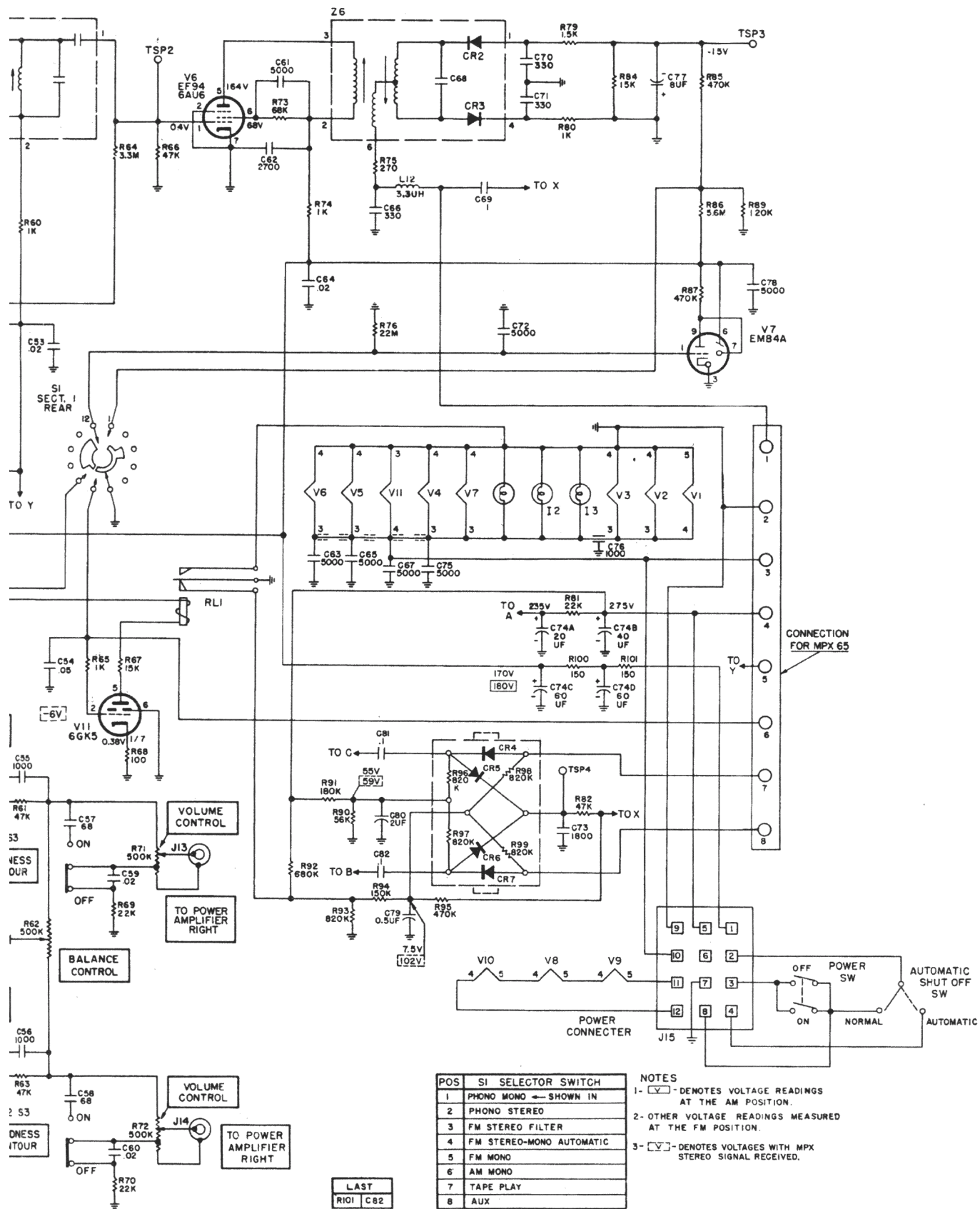


COURTESY OF FISHER RADIO CORP.



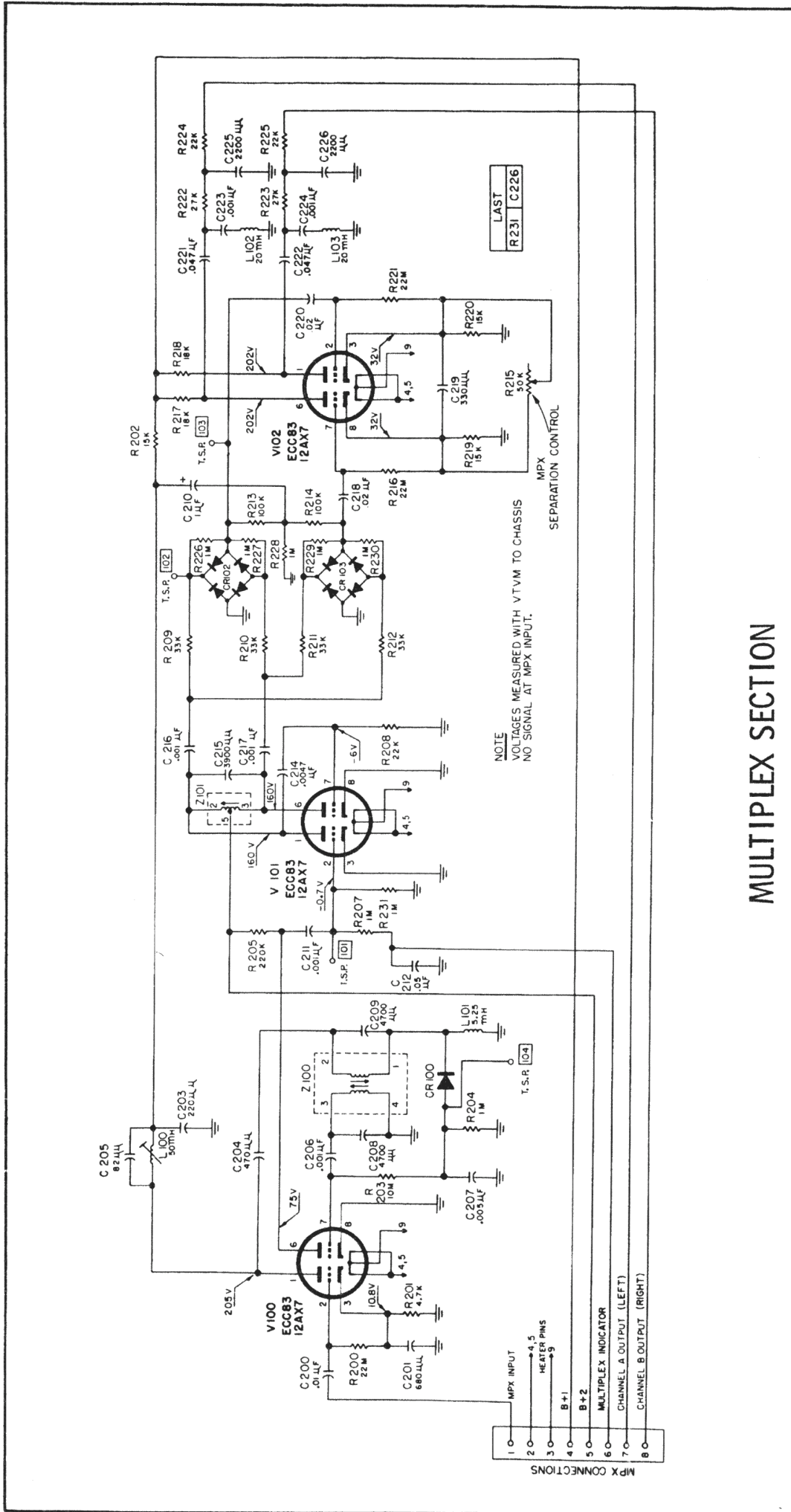
AM-FM TUNER SECTION



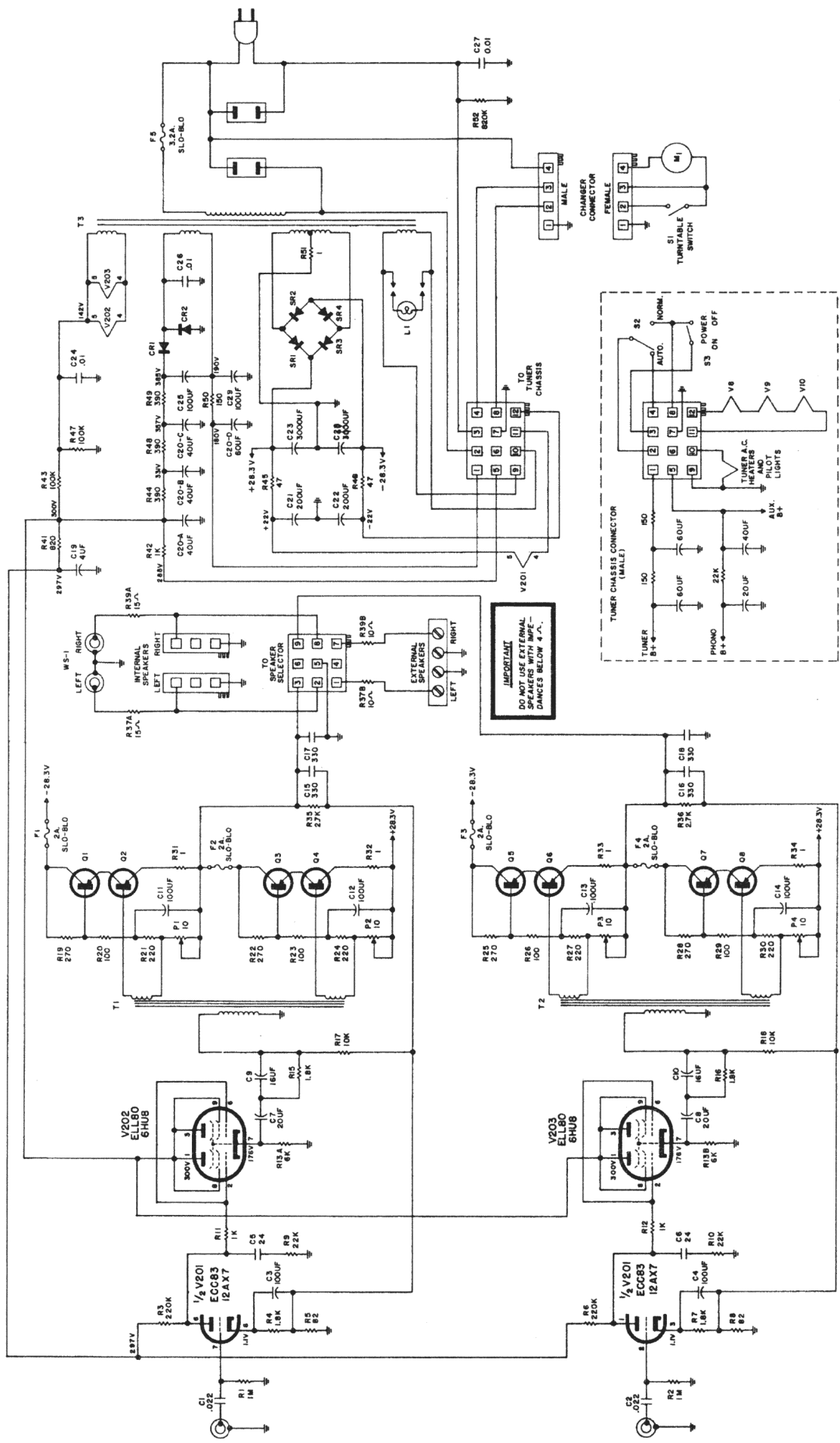
POS	SI SELECTOR SWITCH
1	PHONO MONO ← SHOWN IN
2	PHONO STEREO
3	FM STEREO FILTER
4	FM STEREO-MONO AUTOMATIC
5	FM MONO
6	AM MONO
7	TAPE PLAY
8	AUX

NOTES
 1- [∇] - DENOTES VOLTAGE READINGS AT THE AM POSITION.
 2- OTHER VOLTAGE READINGS MEASURED AT THE FM POSITION.
 3- [∇] - DENOTES VOLTAGES WITH MPX STEREO SIGNAL RECEIVED.

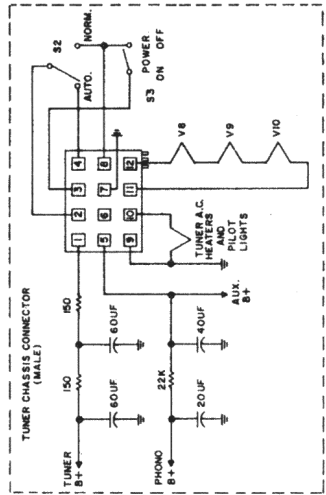
LAST
 R101 C82



MULTIPLEX SECTION



IMPORTANT!
DO NOT USE EXTERNAL
SPEAKERS WITH WPE -
DANCES BELOW 4".



AUDIO OUTPUT - POWER SUPPLY SECTION